



RS232 Configuration cable DLS/FLS

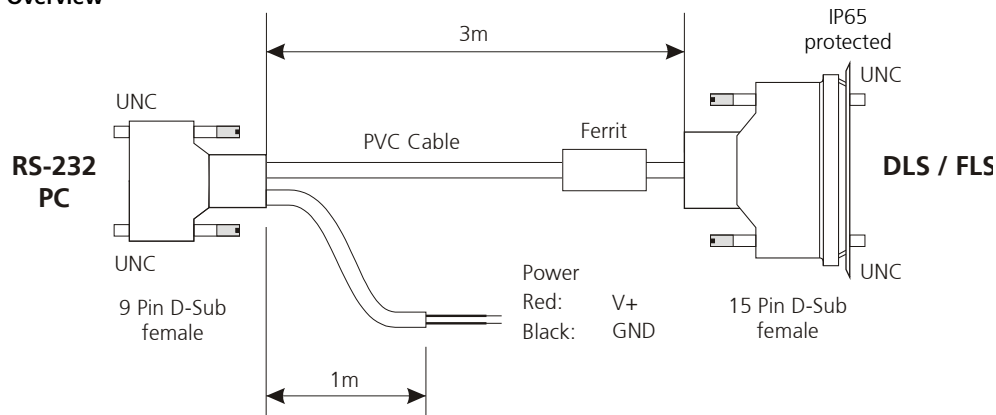
Item No. 50200



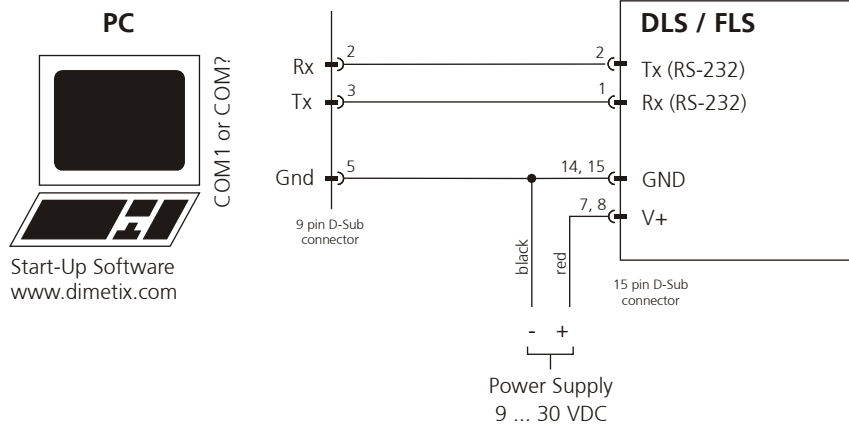
This RS232 configuration cable is made to connect Laser Distance Sensor DLS/FLS to the PC and a power supply for the simple configuration.

Do not use for devices with the heater!

Overview



Wiring diagramm



Order information

Item number	Description	Packaging unit
500200	RS-232 Configuration cable DLS/FLS Length = 3m, with 15 pin connector IP65 and 9 pin connector	1 piece

12. Nov. 2009 / Subject to change without notice

500200_RS232 Connection cable DLS_FLS_EN_V2.odt