



AO/DO Connection cable

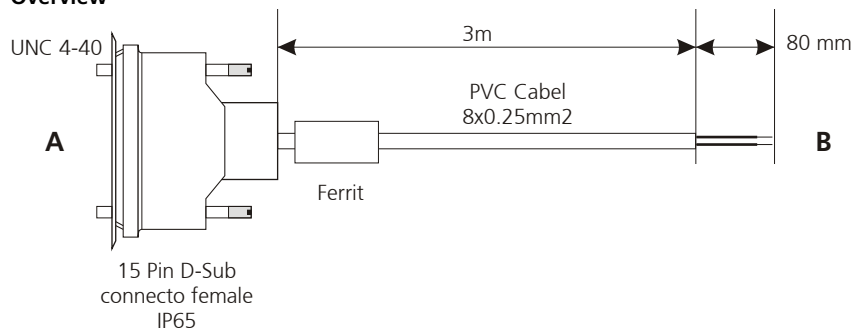
Item No. 500202



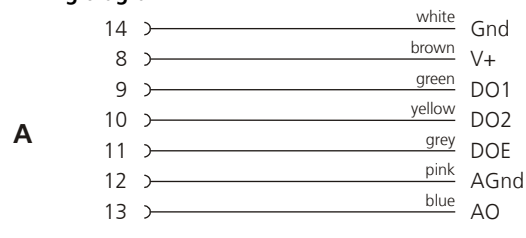
Cable for the connection of a DLS/FLS Distance Laser Sensor using the the automatic mode.

Do not use for devices with the heater!

Overview



Wiring diagram



15 Pin D-Sub
connecto female
IP65

Order information

Item No.	Description	Packaging unit
500202	AO/DO Connection cable Length = 3m, with 15 pin connector IP65 applicable for DLS/FLS	1 piece