



RS-422 Connection cable DLS/FLS

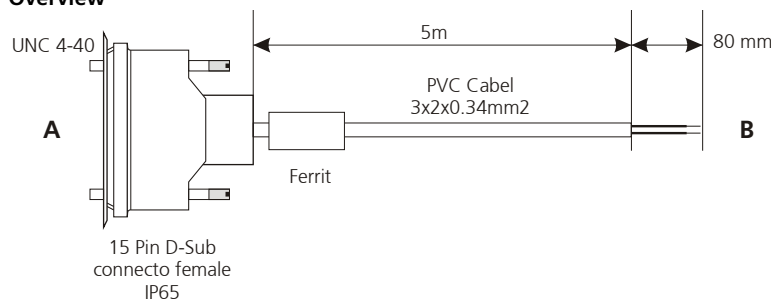
Item No. 500203



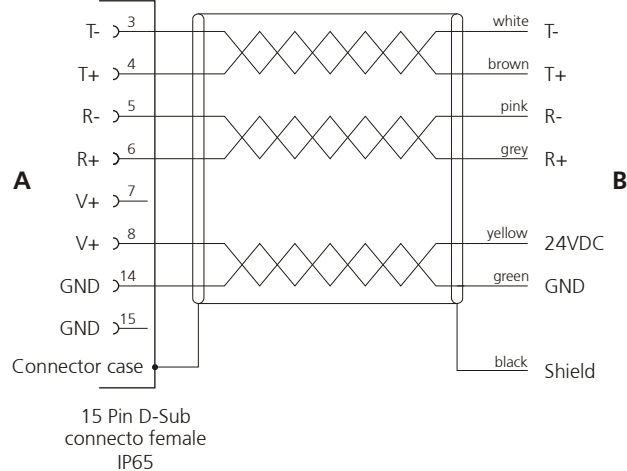
Cable for the connection of a DLS/FLS Laser Distance Sensor to a junction box and a power supply.

Do not use for devices with the heater!

Overview



Wiring diagram



Order information

Item No.	Description	Packaging unit
500203	RS-422 Connection cable DLS/FLS length = 5m, with 15 pin connector IP65	1 piece
500203/XXX	RS-422 Connection cable - special length Length = XXX m, with 15 pin connector IP65 applicable for DLS/FLS	1 piece