



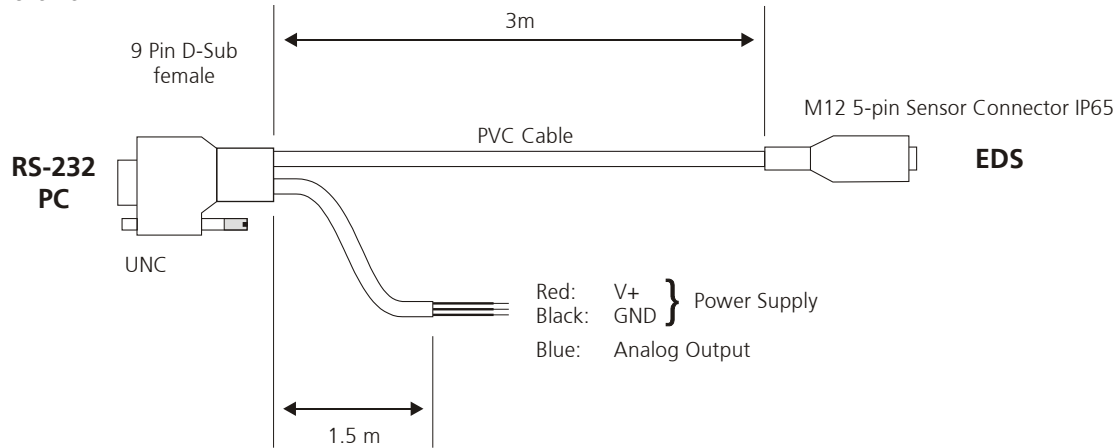
RS-232 Configuration Cable EDS

Item No. 500204

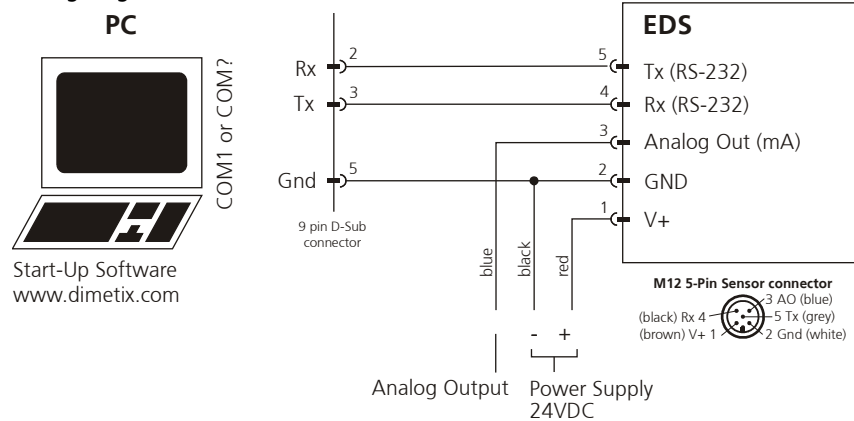


This RS232 configuration cable is made to connect Laser Distance Sensor EDS to the PC and a power supply for the simple configuration.

Overview



Wiring diagram



Start-Up Software
www.dimetix.com

Order information

Item No.	Description	Packaging unit
500204	RS-232 Configuration cable EDS Length: 3m, with M12 5 pin sensor connector IP65 and 9 pin D-Sub connector	1 piece

12. Nov. 2009 / Subject to change without notice

500204_RS-232 Configuration cable EDS_EN_V1.odt